



MHT MOLD & HOTRUNNER  
TECHNOLOGY AG



# PET Preform Molds

For all systems on the market

# Who We Are

MHT Mold & Hotrunner Technology AG belongs to the Krones Group and was established in 1996. Since then we have been supplying the global market with high performance PET molds and hotrunner products. Our team consists of 125 employees and we own three production and service facilities which are located in Germany, Brazil, and the USA.

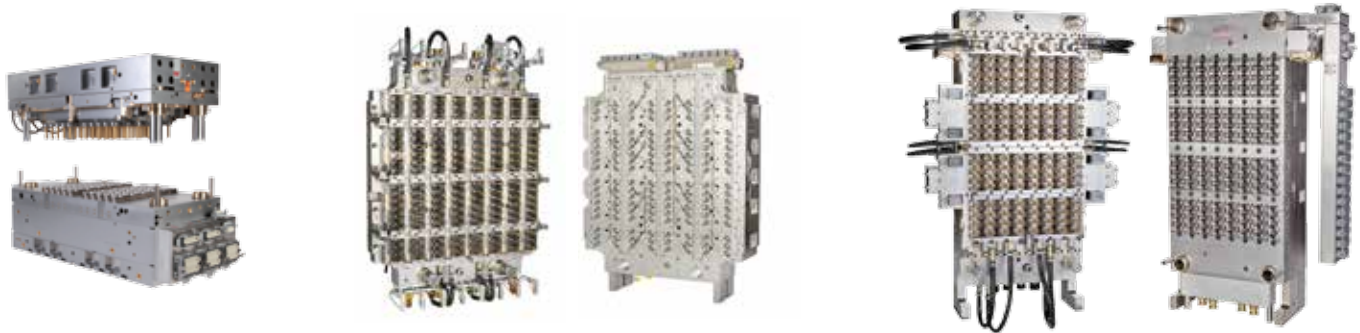
Up to now MHT has shipped over 2,500 molds and spare parts to more than 100 countries. Partners and agents in Europe, America, Africa, the Middle East, Asia, and Australia provide a perfect service for our customers.



- 2022 MHT xCOOL and optiSTACK
- 2021 Nanopitch molds: 144 cav. for Sacmi IPS 400 and 128 cav. for IPS 300
- 2020 AFM Active Flow molding
- 2019 New hotrunner MHToptiRUN
- 2018 MHT reinforces the Krones Group
- 2017 Vulcan II hotrunner components
- 2015 Close cooperation with Sacmi
- 2013 72 cavities for HyPET 225 and 48 cavities for HyPET 120
- 2012 144 cavity mold for HyPET 500 and Vulcan I hotrunner components
- 2011 112 cavity mold for PETForm 350
- 2010 Introduction of upgrade set: 96 cavity mold for HyPET 300 and 128 cavity mold for HyPET 400
- 2008 First 128 cavity mold for 3,500 kN machines
- 2006 Foundation of MHT USA, Presentation of MHThpSTACK
- 2004 First 192 cavity mold
- 2001 First 144 cavity mold worldwide
- 2000 New production facility in Hochheim/Main
- 1998 First vertical PET systems
- 1996 Foundation of MHT by 11 partners







## MAXIMUM CAVITATION

MHT molds are compatible with all high quality PET injection molding machines, and MHT has always been the one to take mold cavitations to the next limit. This makes us an ideal supplier and gives you more independence and flexibility.

The upgrade set for HyPET machines is offered within the context of a mold exchange or conversion. MHT assumes the complete project management and guarantees a smooth running changeover to the new mold design.

We build molds and post mold cooling solutions for **Sacmi | Husky | Netstal | KraussMaffei | Niigon | Sumitomo | Sipa | Milacron | BMB | Arburg | Engel | Negri-Bossi**

Hot fill? Wide mouth? Low thread? We make it possible!

## Cavities For machine type

192	Netstal PET-LINE 6000
144	PET-LINE 5000, Husky HyPET 500, G-Line 600, Sacmi IPS 400
128	Netstal PET-LINE 3500, Husky HyPET 400, Sacmi IPS 300
112	KraussMaffei PETForm 350
96	KraussMaffei PETForm 320, Husky HyPET 300
72	PETForm 300, HyPET 225, PET-LINE 2400, IPS 220, Niigon 300
60	Netstal PET-LINE 2000, KraussMaffei PETForm 175
48	Husky HyPET 120, H-PET AE 230, Niigon 150
32	H-PET AE 180



# Your Benefit

How many preforms do you want to produce?

Which design, what weight?

How big is the clamp force of your machine?

## MHT PREFORM MOLDS

- Molds for all well known PET systems
- Complete conversions
- Weight and low thread conversions
- Mold refurbishments
- Mold and hotrunner spare parts
- Installation, service and repair of molds
- Customized training

## HIGH QUALITY PREFORMS

- No crystallinity
- No scratches
- High quality surface
- Low acetaldehyde (AA) level
- Minimum eccentricity
- Dimensional stability
- Consistent weight
- No flash on split lines

No matter what the requirements are, we build the perfect mold for your project!



# Innovative Strength

MHT is well known throughout the PET industry for its innovative strength and the ability to develop technical solutions. High output, short cycle times: We know what our customers need to remain competitive in the market.

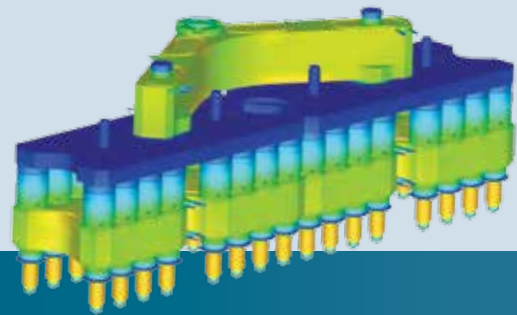
## NOZZLE TECHNOLOGY MHT VULCAN II

- Reduced costs and perfect quality for preform production
- Efficient heat transfer
- Longer maintenance intervals
- Customized nozzle tip inlay for all applications



## HOTRUNNER TECHNOLOGY MHTheatControl

- Thermally verified design
- Naturally balanced melt channels
- Efficient heat utilization
- Reduced heat loss to the environment
- Reduced costs for maintenance
- Reduced energy costs



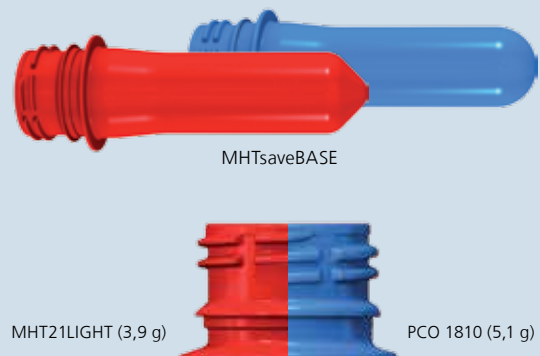
## STACK TECHNOLOGY MHThpSTACK

- Advanced cooling design
- Reduced cycle time
- Heat absorption at required spots
- Combinable to most standard stack designs
- Cooling channels closest to contour
- Changeable contour-part (gate insert)
- Mix & match hp and standard components



## LIGHT WEIGHT SOLUTIONS MHTsaveBASE, MHT21LIGHT

- Bottom of bottle can be made thinner
- Better stretch to blow ratio
- Light weight thread
- Material and energy saving





# Post Mold Cooling

We offer post mold cooling solutions for side entry, top entry and vertical-side entry machines. Our three or four step take off plate is available for all mold types and cavitations. You have different makes, sizes or generations of machines in your plant? MHT can make (almost) anything fit. We offer adapter kits and with our upgrade solutions we can take your output to the next level. Of course MHT molds also work perfectly well with PMC technologies by other manufacturers.

## PMC SOLUTIONS MHT COOLMAX AND MORE

### COOLMAX®

- Up to four stages
- Staggered version available
- Gripper pins, standard or spring loaded
- Air baffle (for thread cooling)
- For all cavitations
- Bladder function available

### TAKE-OUT PLATE

- Up to four stages EOAT
- Exchangeable cooling sleeves
- Cooling sleeves with MHTxCOOL®





# Service

Our commitment does not end after mold delivery – as your partner, we will keep on providing reliable support afterwards. We supply the best possible intensive, active and direct support in a plan covering after-sales and mold service. For example:

## NEW MOLDS

- Dimensioning, such as in interface determination
- Application and product consultation
- Mold start-up
- General and application training

## MOLD REFURBISHMENTS

- Hot halves
- Cold halves
- Take-out and post-mold cooling devices

## MOLD CONVERSIONS

- Weight changes
- Thread changes
- Contour changes
- Weight optimisation  
(MHTsaveBASE, MHT21LIGHT)



MHT USA, LLC.



MHT USA, LLC.  
665 Hwy 74 South, Suite 200-A  
Peachtree City GA, 30269  
[info@mht-usa.com](mailto:info@mht-usa.com)  
[www.mht-usa.com](http://www.mht-usa.com)